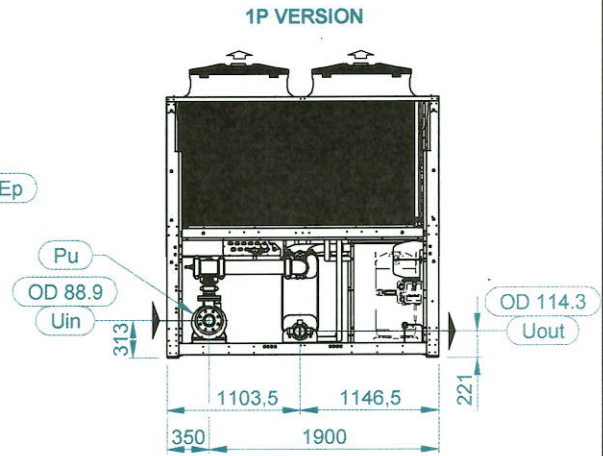
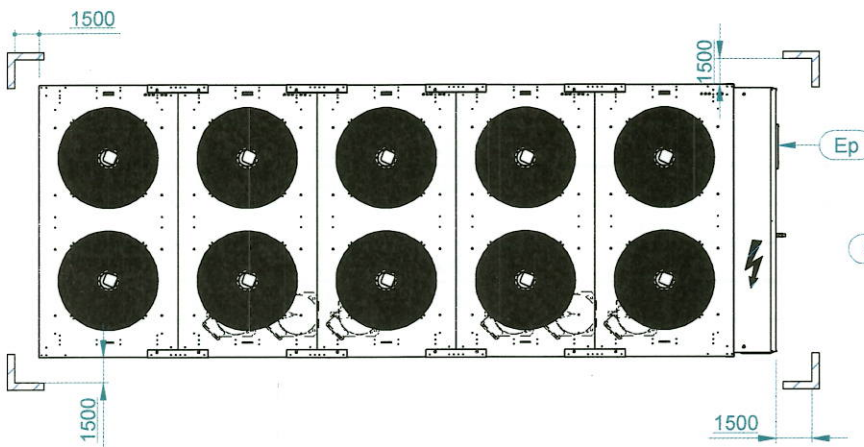
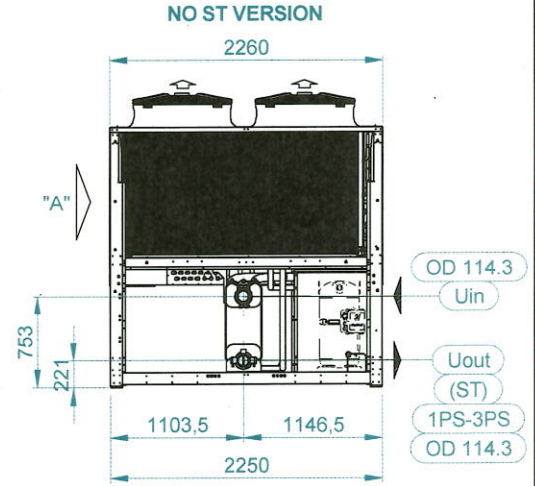
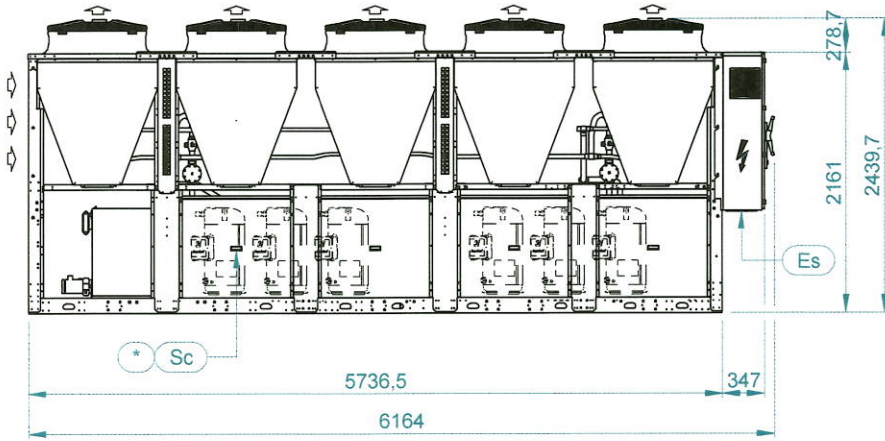
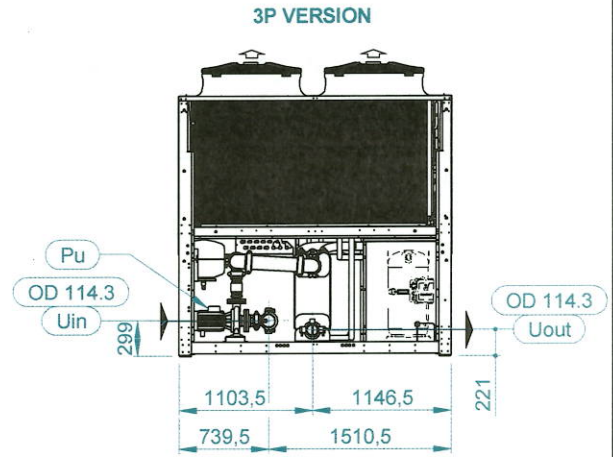
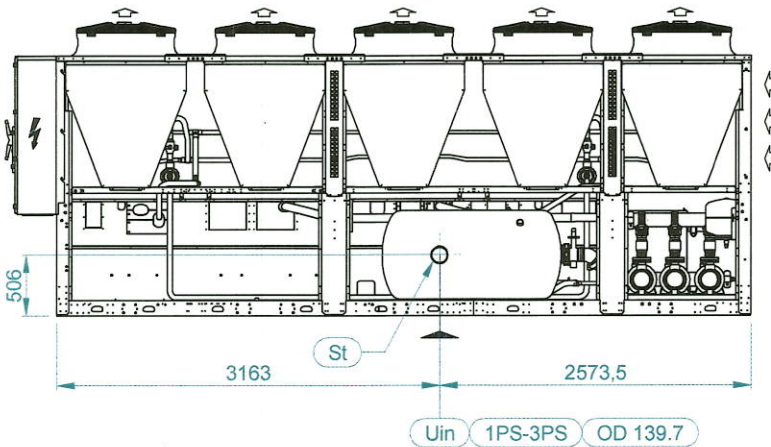


1 - 2017-10-30 centrala



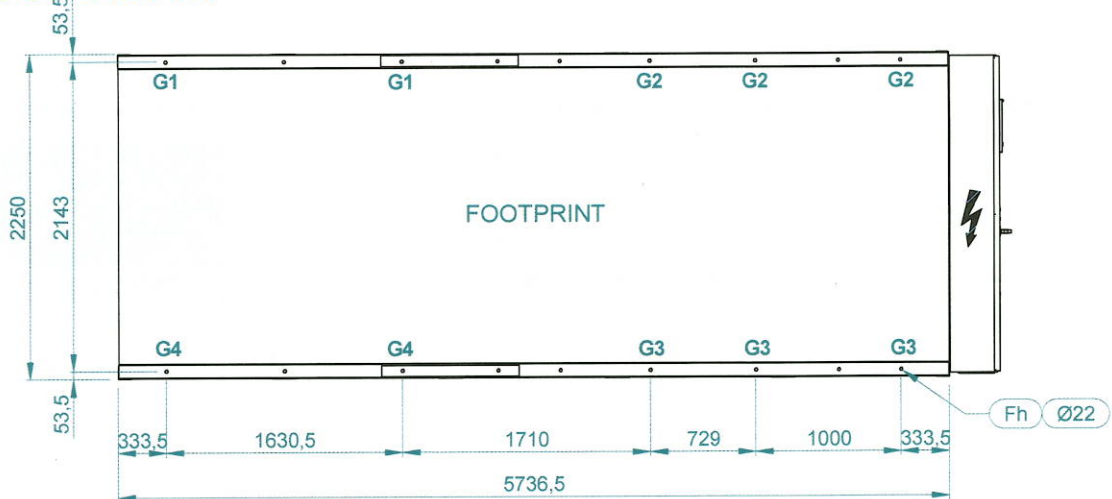
VIEW TO "A"  
1PS-3PS VERSIONS



\* = OPTION

Rev.	Date	Draftman	Checked by	Revision description
B	19/02/2015	FEDRIGO	CRIVELLARI	Modified weight sheet and foot print
Denomination - Dimensional Drawing				Code
SLN 57.6				/
(ST)-1P-3P-1PS-3PS				Drawing
				A4F395
				Rev.
				B
	Scale 1:60	Date 04/06/2014	Draftsman FEDRIGO	Checked by CRIVELLARI
Replace draw.		Replaced by draw.		Sheet N. <u>1</u> di <u>2</u>
				Weight [kg]
				/

1 - 2017-10-30, centrala



MODEL	WEIGHT(kg)	OPERATING WEIGHT (kg)	G1 (kg)	G2 (kg)	G3 (kg)	G4 (kg)
A 57.6 CH	3582	3639	296	259	430	490
A 57.6 HP	4288	4345	381	316	487	587
A 57.6 CH_LN	3860	3917	299	272	481	530
A 57.6 HP_LN	4565	4622	384	329	537	628
A 57.6 CH_1P	3718	3785	344	269	412	527
A 57.6 HP_1P	4422	4489	430	325	470	622
A 57.6 CH_1P_LN	3991	4058	346	282	462	567
A 57.6 HP_1P_LN	4702	4769	432	339	520	664
A 57.6 CH_3P	3794	3876	367	275	409	545
A 57.6 HP_3P	4500	4582	454	331	467	640
A 57.6 CH_3P_LN	4069	4151	369	289	458	586
A 57.6 HP_3P_LN	4775	4857	455	345	516	682
A 57.6 CH_1PS	3865	4444	498	340	410	599
A 57.6 HP_1PS	4570	5149	586	395	468	694
A 57.6 CH_1PS_LN	4140	4719	498	355	458	642
A 57.6 HP_1PS_LN	4845	5424	586	410	516	737
A 57.6 CH_3PS	3920	4509	518	341	406	616
A 57.6 HP_3PS	4625	5214	606	396	464	711
A 57.6 CH_3PS_LN	4197	4786	518	356	454	660
A 57.6 HP_3PS_LN	4900	5489	605	411	512	755
SLN 57.6 CH	3860	3917	299	272	481	530
SLN 57.6 HP	4565	4622	384	329	537	628
SLN 57.6 CH_1P	3991	4058	346	282	462	567
SLN 57.6 HP_1P	4702	4769	432	339	520	664
SLN 57.6 CH_3P	4069	4151	369	289	458	586
SLN 57.6 HP_3P	4775	4857	455	345	516	682
SLN 57.6 CH_1PS	4140	4719	498	355	458	642
SLN 57.6 HP_1PS	4845	5424	586	410	516	737
SLN 57.6 CH_3PS	4197	4786	518	356	454	660
SLN 57.6 HP_3PS	4900	5489	605	411	512	755

Denomination - Dimensional Drawing <b>2 A / SLN 57.6</b> <b>(ST)-1P-3P-1PS-3PS</b>			Code /		Drawing <b>A4F395</b>		Rev. <b>B</b>
	Scale 1:50	Date 04/06/2014	Draftsman FEDRIGO	Checked by CRIVELLARI	Sheet N. <u>2</u> di <u>2</u>	Weight [kg] /	
Replace draw. /			Replaced by draw. /				